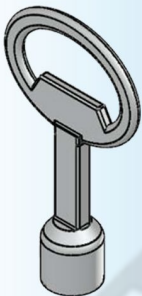


For Product Step File or 3D Model Send a Request Mail To info@nrack.com

Photo View



3D Rendered View



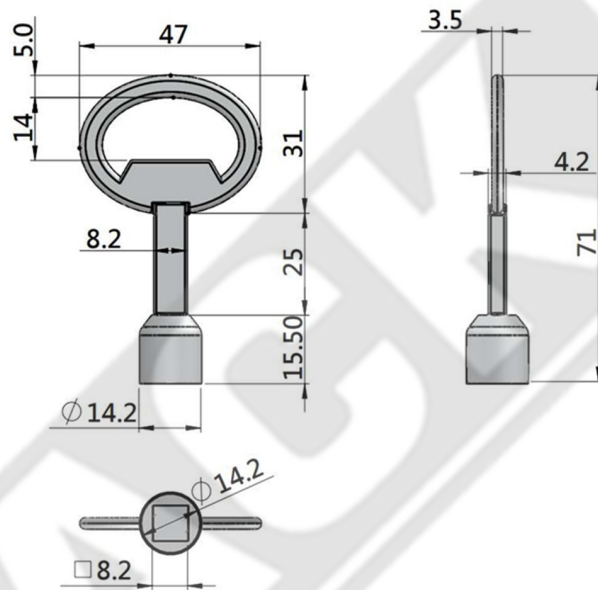
PL - 19

PL - 19(Small)

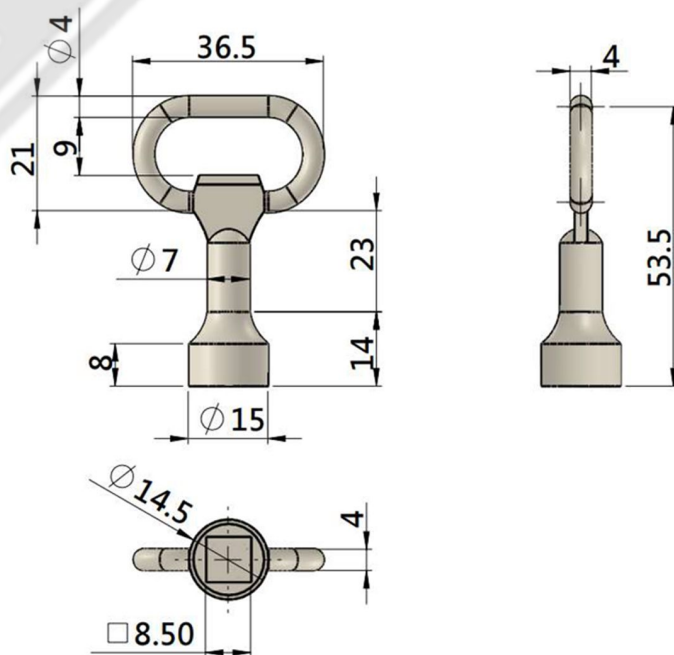


- Material: Zinc Die Casting
- Finish: Chrome Plating

PL - 19



PL - 19(Small)



SQUARE TYPE